

# PROLINE RGB SERIES

## User's Manual & Installation Guide

Index

V.1.0

- |   |  |    |                                     |
|---|--|----|-------------------------------------|
| 1 | Cover & Index                                  | 6  | Installation Instrucion             |
| 2 | Safety Information<br>Warranty<br>Marking      | 7  | Installation Instrucion             |
| 3 | Explanation<br>Details<br>Ordering Information | 8  | Ordering Information<br>Accessories |
| 4 | Block Diagram                                  | 9  | Technical Drawing                   |
| 5 | Connection Diagram                             | 10 | Back Cover                          |

Congratulations on choosing a HERA product!  
We thank you for your custom.

Please note that this product, as all the others in the rich HERA range, has been designed and made with total quality to ensure excellent performance and best meet your expectations and requirements. Carefully read this instruction manual in its entirety and keep it safe for future reference. It is essential to know the information and comply with the instructions given in this manual to ensure the fitting is installed, used and serviced correctly and safely. HERA disclaims all liability for damage to the fitting or to other property or persons deriving from installation, use and maintenance that have not been carried out in conformity with this instruction manual, which must always accompany the fitting. HERA reserves the right to modify the characteristics stated in this instruction manual at any time and without prior notice.

# PROLINE RGBA SERIES

---

## Safety Information

Caution – unplug the power supply from the main power before connecting any cables as this can damage the products.

Caution – avoid looking directly into the led light source at close range for your own safety.

Any people installing this product should comply with local standards and regulations and must be qualified for the handling of electrical equipment.

- Do not attempt to install or use the product until installation instructions and safety labels are fully understood. This product is designed for indoor and outdoor usage.
- Ensure product operates within the specified temperature range.
- Do not attempt to open the product.
- Do not use the product if the power cables are damaged.
- Only use product for specified voltage.
- Always maintain connection to ensure waterproofing.
- If the product has been subjected to drastic temperature variances, for example, following transportation, do not connect the fixture until it has reached room temperature, as moisture condensation may cause electric shock and product damages.
- When installing the products and system power supplies, please ensure they will not be exposed to moisture and extreme heat (and direct sunlight for outdoor products). Besides, keep a clean operating environment for the fixtures and system power supplies.
- Please study this Installation Guide thoughly and check the latest Technical Specification Sheets available from the our website [www.heraled.com](http://www.heraled.com) before setup.
- Any non-compliance of the Installation Guide will void the Hera warranty.

## Warranty

Hera warrants the products for a period of three (3) years from date of purchase, provided that the purchased items are used under the conditions stated in this user manual.

## Marking



**RoHS**  
compliant

**IP66**



# PROLINE RGBA SERIES

## Explanation

Proline RGBA Series consists of four models such as 30-60-90-120cm. It is produced as 30cm 12 Led 20 Watt, 60cm 24 Led 40 Watt, 90cm 36 Led 60 Watt, 120cm 48 Led 80 Watt It has options such as Narrow, Middle and Asymmetric angle. It is controlled with 4 Channel DMX. Channel 1: 0-255 Red, Channel 2: 0-255 Green, Channel 3: 0-255 Blue, Channel 4: 0-255 Amber. It is high quality product with industrial standard. Power unit is built in. It has 90~264VAC 50/60Hz Universal operating voltage. It has anodized aluminum body. It is adjustable and lockable with 6 degree angles thanks to gearwheel in the body and assembly column. It has a safe use with UV protected polycarbonate cover. It is in IP67 protection class with 60 shore gasket. It is not evaporated with PG9 Stainless Steel Cable Glands&Ventilation Plug It is manufactured by using stainless steel screws with AISI304 quality. It has wide range of accessories according to the application.

- Linear solution in architecture illumination
- Locking at 6 degree angles with gearwheel
- 12/24/36/48 High Powered LED
- 90~264VAC 50/60Hz Universal operating voltage with built in power unit
- Safe use in interior and external environment with IP66 protection

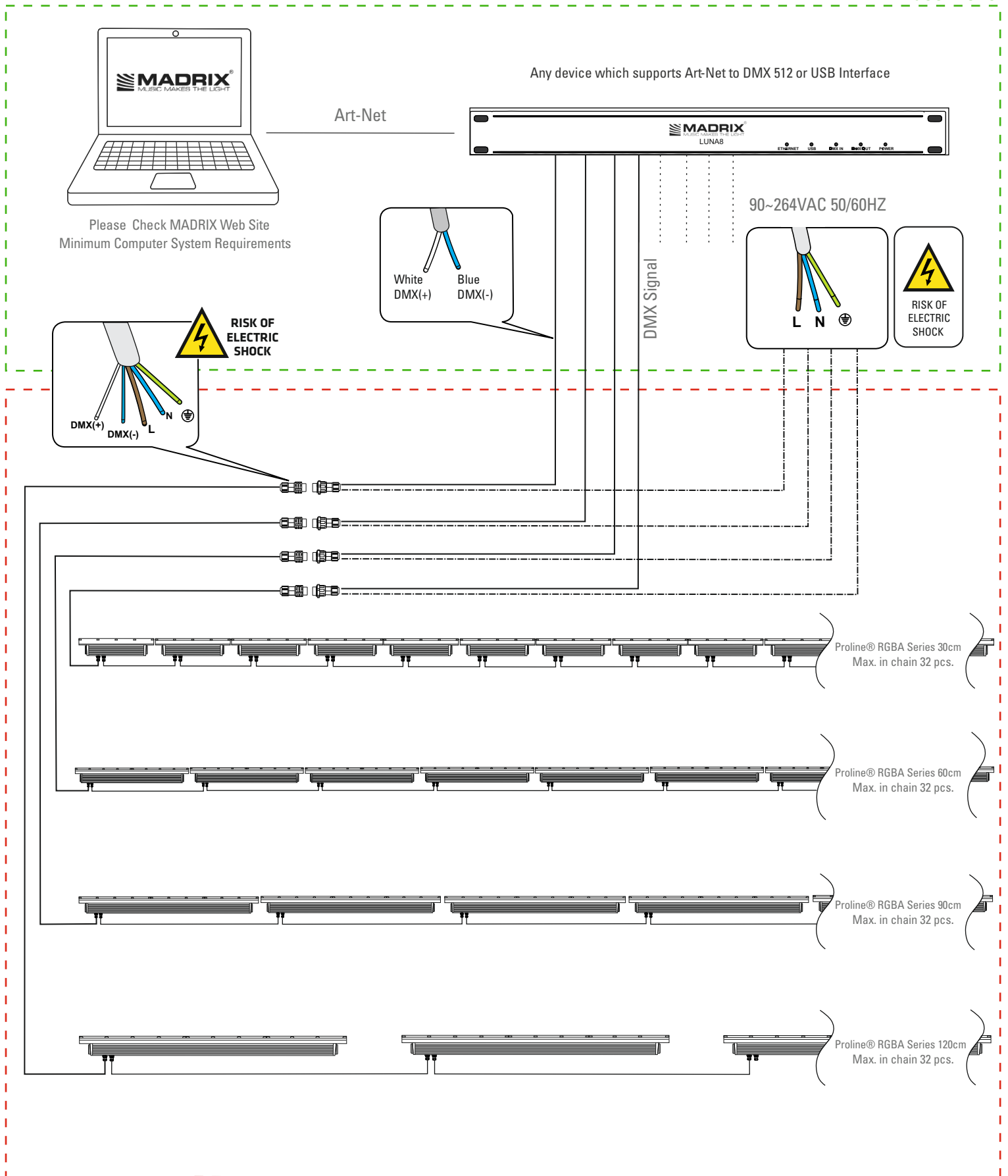
## Details

Light Source	: 12/24/36/48 Pcs. Nichia 219 Series
Lifetime	: 50.000 Hours
Input	: 3+5-Pin IP67 Waterproof Connector (Power + DMX) 90~264VAC 50/60Hz Universal AC input / Full range
Power Consumption	: 20/40/60/80 Watt
Luminous Intensity	: 834/1668/2502 /3336 lm Full Color Mode *Preliminary data, figures are approximate.
Control and Programming	: DMX 512
DMX Channels	: Ch1: Red 0 - 255/ Ch2: Green 0 - 255/ Ch3: Blue 0 - 255 Ch4: Amber 0 - 255 Color Temperature Control: 2.000 - 10.000K Continuous Mixing
DMX Address Settings	: RDM (Group of Remote Addressable Systems)
Housing	: Aluminium Extrusion Body Die-Cast Polycarbonate with UV Stabilizer Cover
Screw and Mounting Accessories	: Die-Cast Aluminium Installation Equipment 304L Stainless Steel
Temperature	: Operating : -40°C - 50°C - (-40° - 122° F) Storage : -40°C - 85°C - (-40°C - 185° F)
Dimensions (H x W x D):	: 94x70x305 mm ( 3,74x2,75x12 in) 94x70x610 mm ( 3,74x2,75x24 in) 94x70x915 mm ( 3,74x2,75x36 in) 94x70x1220 mm ( 3,74x2,75x48 in)
Weight	: 1,4kg (3,8 lb) / 2,6kg (5,7lb) / 3,9kg (8,5lb) / 5,1kg (11lb)
Certification	: EU safety: EN60598-2-5 (EN60598-1), EN62471, EN62493, EN60598-2-1 EU EMC: EN55015, EN61547, EN61000-3-2, EN61000-3-3, EN61000-4-2, EN61000-4-4, EN61000-4-5 US safety (pending): ANSI/UL 1598 US EMC: 47 CFR Part 15 Class A

# PROLINE RGBA SERIES

## Block Diagram

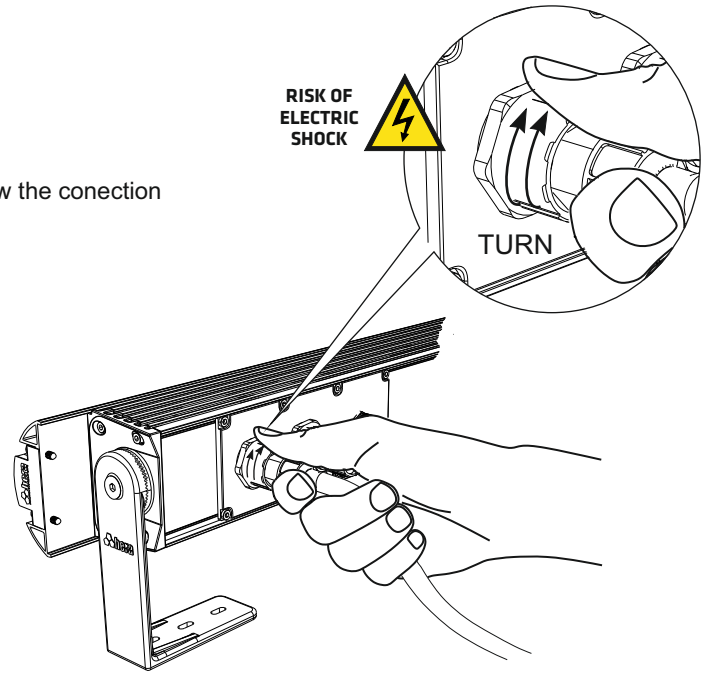
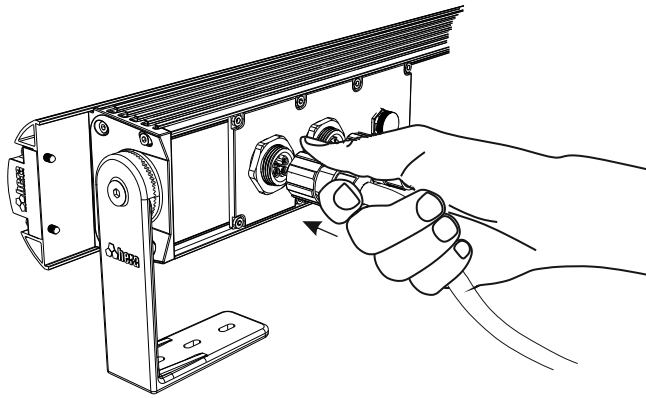
Indoor Zone



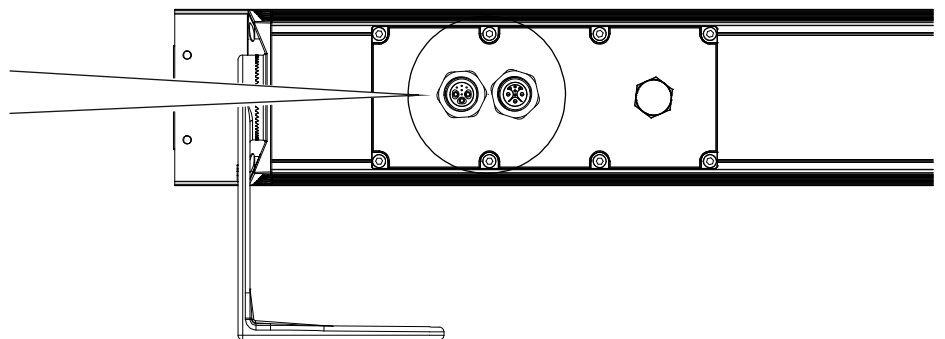
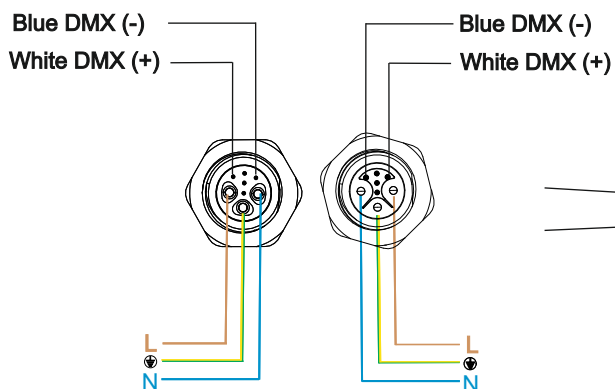
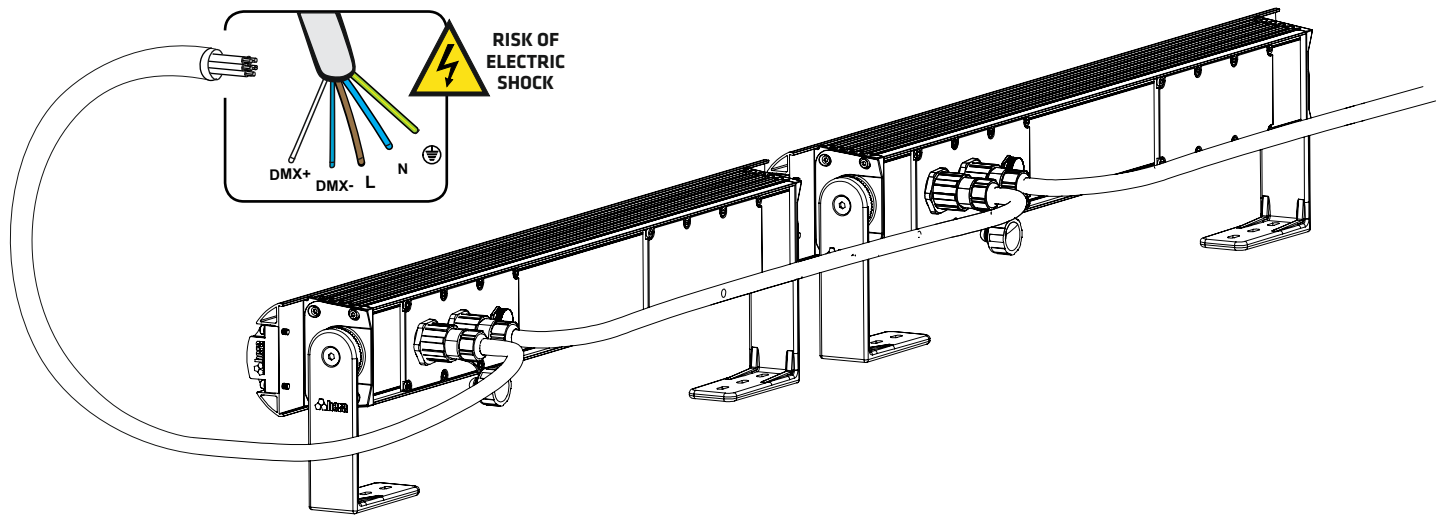
Outdoor Zone

## Connection Diagram

- 1 Insert the connector into the appropriate input and screw the connection



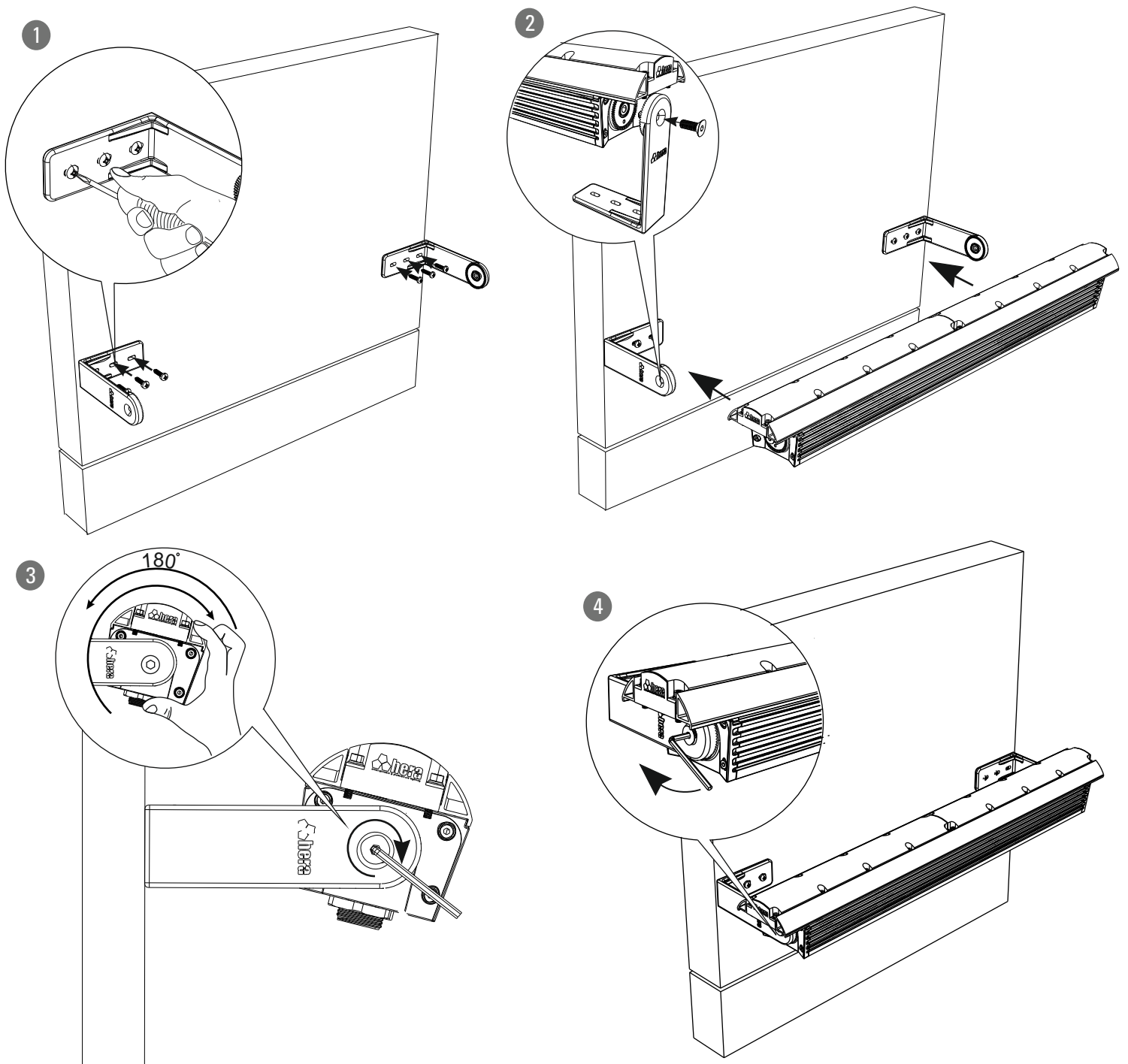
- 2 The correct type of connection as shown at figure



# PROLINE RGBA SERIES

## Installation Instruction

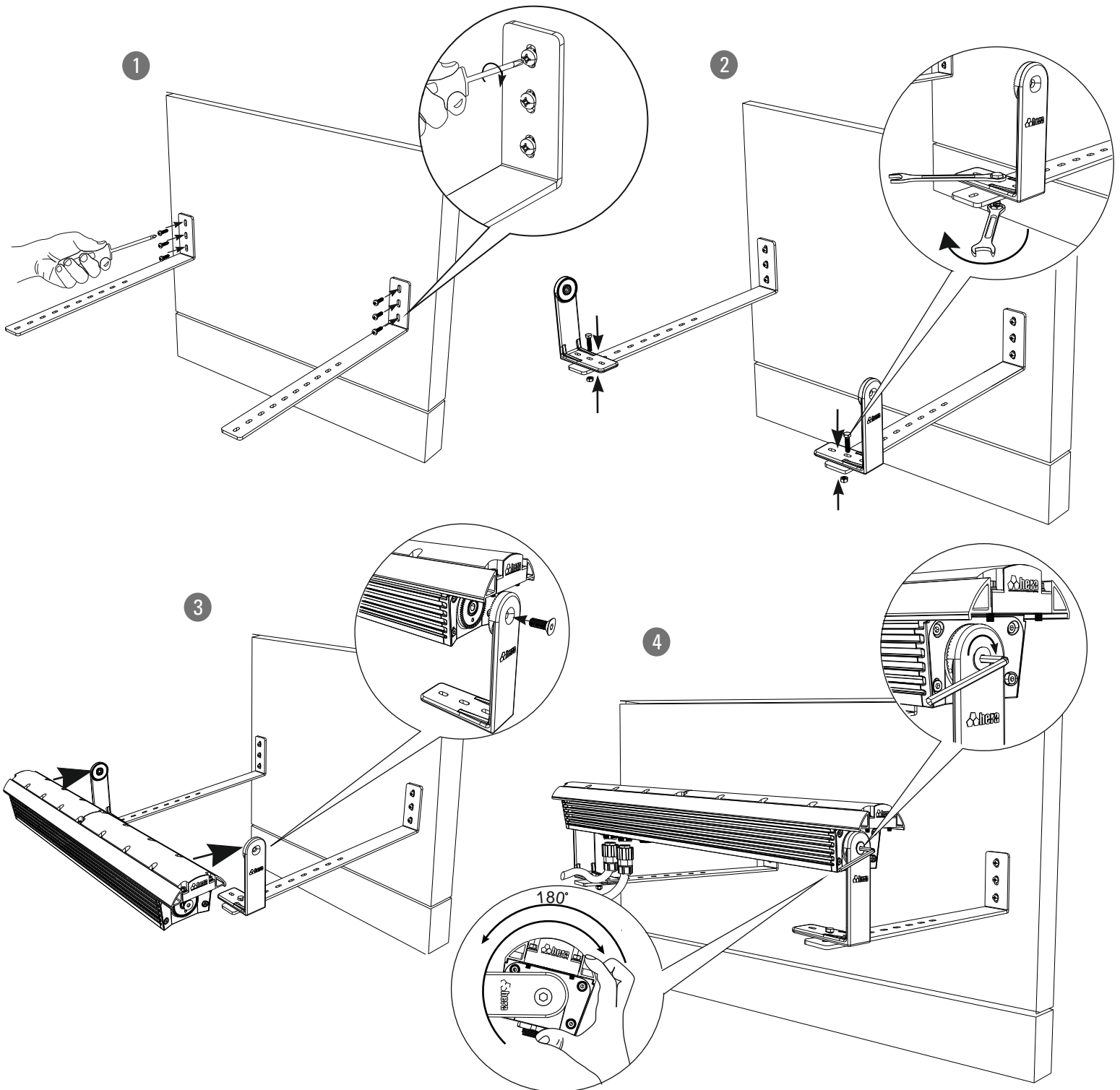
Step	Description
1	Assemble leg of luminaries to wall or ground as shown at figure 1
2	Synchronize the gear with surface of luminaries and leg as shown at figure 2
3	Adjustable gear of luminaries with 6° angle, turn luminaries into suitable position and tighten the screw as shown at figure 3
4	Finished installation as shown at figure 4



# PROLINE RGBA SERIES

## Installation Instruction

Step	Description
1	Assemble mounting bracket to wall or grnd as shown at figure 1
2	Leg of luminaries fix leg of accesories with screw, appropriately as shown at figure 2
3	Synchronize the gear with surface of luminaries and accessories . All gear adjustable 6° angle as shown at figure 3
4	Turn the luminaries into sutiable position and tighten the screw. Finished installation as shown at figure 4

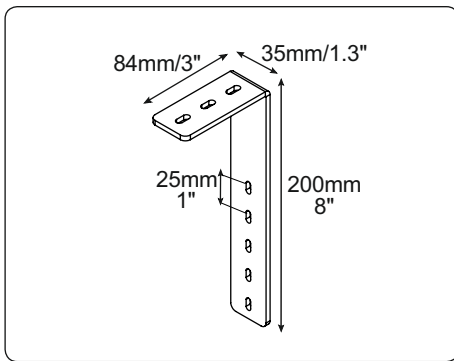


# PROLINE RGBA SERIES

## Ordering Information

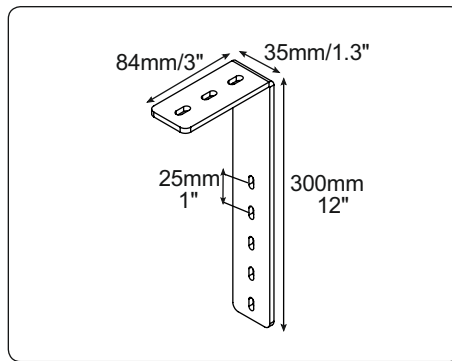
Proline 30RGBA DMX Linear Light Spot Beam	P02010091
Proline 30RGBA DMX Linear Light Medium Beam	P02010092
Proline 30RGBA DMX Linear Light Flood Beam	P02010093
Proline 30RGBA DMX Linear Light Asymmetric Beam	P02010096
Proline 60RGBA DMX Linear Light Spot Beam	P02011091
Proline 60RGBA DMX Linear Light Medium Beam	P02011092
Proline 60RGBA DMX Linear Light Flood Beam	P02011093
Proline 60RGBA DMX Linear Light Asymmetric Beam	P02011096
Proline 90RGBA DMX Linear Light Spot Beam	P02012091
Proline 90RGBA DMX Linear Light Medium Beam	P02012092
Proline 90RGBA DMX Linear Light Flood Beam	P02012093
Proline 90RGBA DMX Linear Light Asymmetric Beam	P02012096
Proline 120RGBA DMX Linear Light Spot Beam	P02013091
Proline 120RGBA DMX Linear Light Medium Beam	P02013092
Proline 120RGBA DMX Linear Light Flood Beam	P02013093

## Accessories



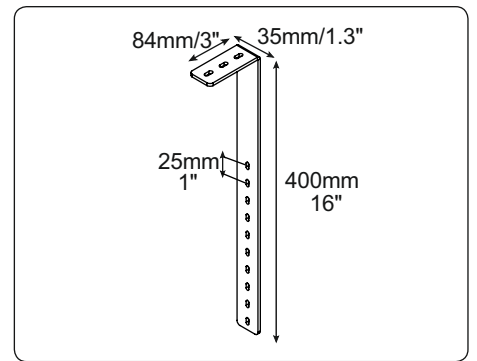
**A01010**

200mm Mounting Bracket  
Optional



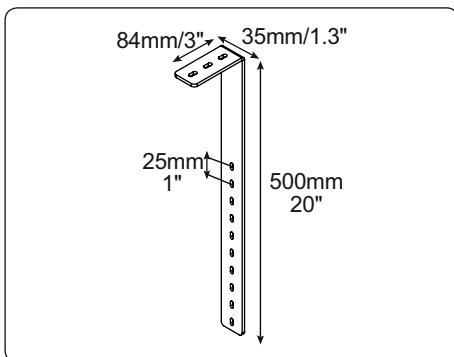
**A01011**

300mm Mounting Bracket  
Optional



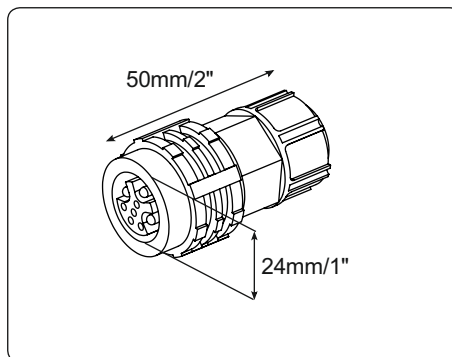
**A01012**

400mm Mounting Bracket  
Optional



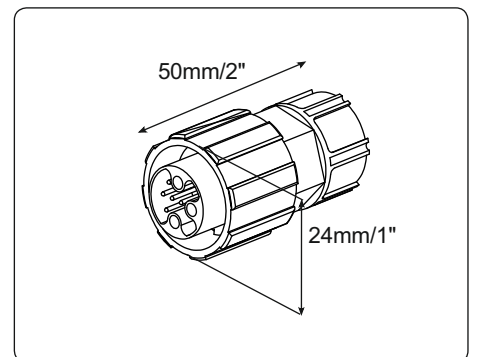
**A01012**

500mm Mounting Bracket  
Optional



**A01033**

3+5 Pin Male IP68 Connector  
Standard



**A01034**

3+5 Pin Female IP68 Connector  
Optional

\*Standart product codes that we provided is above. Please contact us for special orders.



# PROLINE RGBA SERIES

## Technical Drawing

