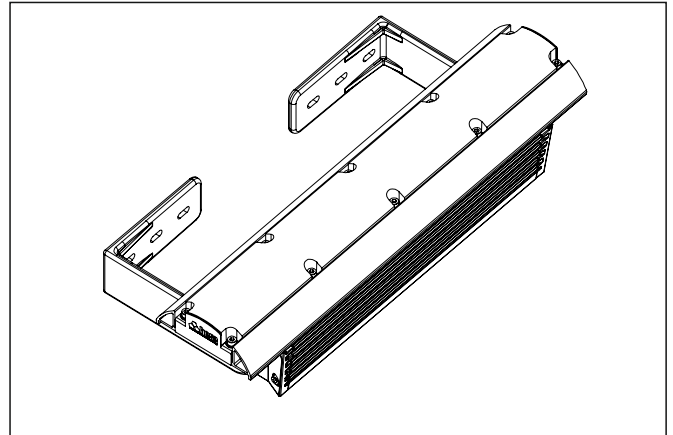


Explanation

Proline Dynamic White Series consists of four models such as 30-60-90-120cm. It is produced as 30cm 12 Led 20 Watt, 60cm 24 Led 40 Watt, 90cm 36 Led 60 Watt, 120cm 48 Led 80 Watt. It has options such as Narrow, Middle and Asymmetric angle. It is controlled with 3 Channel DMX. Channel 1: 0-255 2700K, Channel 2: 0-255 4000K, Channel 3: 0-255 6500K. It is high quality product with industrial standard. Power unit is built in. It has 90~264VAC 50/60Hz Universal operating voltage. It has anodized aluminum body. It is adjustable and lockable with 6 degree angles thanks to gearwheel in the body and assembly column. It has a safe use with UV protected polycarbonate cover. It is in IP67 protection class with 60 shore gasket. It is not evaporated with PG9 Stainless Steel Cable Glands & Ventilation Plug. It is manufactured by using stainless steel screws with AISI304 quality. It has wide range of accessories according to the application.

- Linear solution in architecture illumination
- Locking at 6 degree angles with gearwheel
- 12/24/36/48 High Powered LED
- 90~264VAC 50/60Hz Universal operating voltage with built in power unit
- Safe use in interior and external environment with IP66 protection



Details

Light Source:

12/24/36/48 Pcs. Nichia 219 Series

Lifetime:

50.000 Hours

Input:

3+5-Pin IP67 Waterproof Connector (Power + DMX)

90~264VAC 50/60Hz Universal AC input / Full range

Power Consumption:

20/40/60/80 Watt

Luminous Intensity:

1724/3448/5172/6896 lm Full Color Mode

*Preliminary data, figures are approximate.

Control and Programming:

DMX 512

DMX Channels:

Ch1: 2700K 0 - 255

Ch2: 4000K 0 - 255

Ch3: 6500K 0 - 255

Color Temperature Control: 2.700 - 6.500K Continuous Mixing

DMX Address Settings:

RDM (Group of Remote Addressable Systems)

Housing:

Aluminium Extrusion Body

Die-Cast Polycarbonate with UV Stabilizer Cover

Screw and Mounting Accessories:

Die-Cast Aluminium Installation Equipment

304L Stainless Steel

Temperature:

Operating : -40°C - 50°C - (-40° - 122° F)

Storage : -40°C - 85°C - (-40°C - 185° F)

Dimensions (H x W x D):

94x70x305 mm (3,74x2,75x12 in) 94x70x610 mm (3,74x2,75x24 in)

94x70x915 mm (3,74x2,75x36 in) 94x70x1220 mm (3,74x2,75x48 in)

Weight:

1,4kg (3,8 lb) / 2,6kg (5,7lb) / 3,9kg (8,5lb) / 5,1kg (11lb)

Certification:

EU safety: EN60598-2-5 (EN60598-1), EN62471, EN62493, EN60598-2-1

EU EMC: EN55015, EN61547, EN61000-3-2, EN61000-3-3, EN61000-4-2, EN61000-4-4, EN61000-4-5

US safety (pending): ANSI/UL 1598

US EMC: 47 CFR Part 15 Class A

US EMC: 47 CFR Part 15 Class A

Ordering Information

Proline 30DW DMX Linear Light Spot Beam	P02010121
Proline 30DW DMX Linear Light Medium Beam	P02010122
Proline 30DW DMX Linear Light Flood Beam	P02010123
Proline 30DW DMX Linear Light Asymmetric Beam	P02010126
Proline 60DW DMX Linear Light Spot Beam	P02011121
Proline 60DW DMX Linear Light Medium Beam	P02011122
Proline 60DW DMX Linear Light Flood Beam	P02011123
Proline 60DW DMX Linear Light Asymmetric Beam	P02011126
Proline 90DW DMX Linear Light Spot Beam	P02012121
Proline 90DW DMX Linear Light Medium Beam	P02012122
Proline 90DW DMX Linear Light Flood Beam	P02012123
Proline 90DW DMX Linear Light Asymmetric Beam	P02012126
Proline 120DW DMX Linear Light Spot Beam	P02013121
Proline 120DW DMX Linear Light Medium Beam	P02013122
Proline 120DW DMX Linear Light Flood Beam	P02013123
Proline 120DW DMX Linear Light Asymmetric Beam	P02013126

*Standart product codes that we provided is above. Please contact us for special orders.

Technical Drawing

