

PROCOLOR 60 RGBW SERIES

User's Manual & Installation Guide

Index

V.1.0

- | | | | |
|---|---------------------------------------------------|----|------------------------------------|
| 1 | Cover & Index | 6 | RDM Monitoring Wiring Diagram |
| 2 | Safety Information / Warning / Warranty / Marking | 7 | Connection Diagram |
| 3 | Explanation / Dimension | 8 | Installation Instruction |
| 4 | Product Specifications | 9 | Ordering Information / Accessories |
| 5 | Standart DMX Wiring Diagram | 10 | Back Cover |

Congratulations on choosing a HERA product!

We thank you for your custom.

Please note that this product, as all the others in the rich HERA range, has been designed and made with total quality to ensure excellent performance and best meet your expectations and requirements. Carefully read this instruction manual in its entirety and keep it safe for future reference. It is essential to know the information and comply with the instructions given in this manual to ensure the fitting is installed, used and serviced correctly and safely. HERA disclaims all liability for damage to the fitting or to other property or persons deriving from installation, use and maintenance that have not been carried out in conformity with this instruction manual, which must always accompany the fitting. HERA reserves the right to modify the characteristics stated in this instruction manual at any time and without prior notice.

PROCOLOR 60 RGBW SERIES

Safety Information

Caution – unplug the power supply from the main power before connecting any cables as this can damage the products.

Caution – avoid looking directly into the led light source at close range for your own safety.

Any people installing this product should comply with local standards and regulations and must be qualified for the handling of electrical equipment.

- Do not attempt to install or use the product until installation instructions and safety labels are fully understood. This product is designed for indoor and outdoor usage.
- Ensure product operates within the specified temperature range.
- Do not attempt to open the product.
- Do not use the product if the power cables are damaged.
- Only use product for specified voltage.
- Always maintain connection to ensure waterproofing.
- If the product has been subjected to drastic temperature variances, for example, following transportation, do not connect the fixture until it has reached room temperature, as moisture condensation may cause electric shock and product damages.
- When installing the products and system power supplies, please ensure they will not be exposed to moisture and extreme heat (and direct sunlight for outdoor products). Besides, keep a clean operating environment for the fixtures and system power supplies.
- Please study this Installation Guide thoroughly and check the latest Technical Specification Sheets available from the our website www.heraled.com before setup.
- Any non-compliance of the Installation Guide will void the Hera warranty.

Warning



Risk of Electric Shock



Warning! Refer to User Manual.



Do Not Open Products



Not Suitable for Household Room Illumination



DIRECTIVE 2012/19/EU Waste Electrical and Electronic Equipment

Warranty

Hera warrants the products for a period of five (5) years from date of purchase, provided that the purchased items are used under the conditions stated in this user manual.

Marking



RoHS compliant



IP67



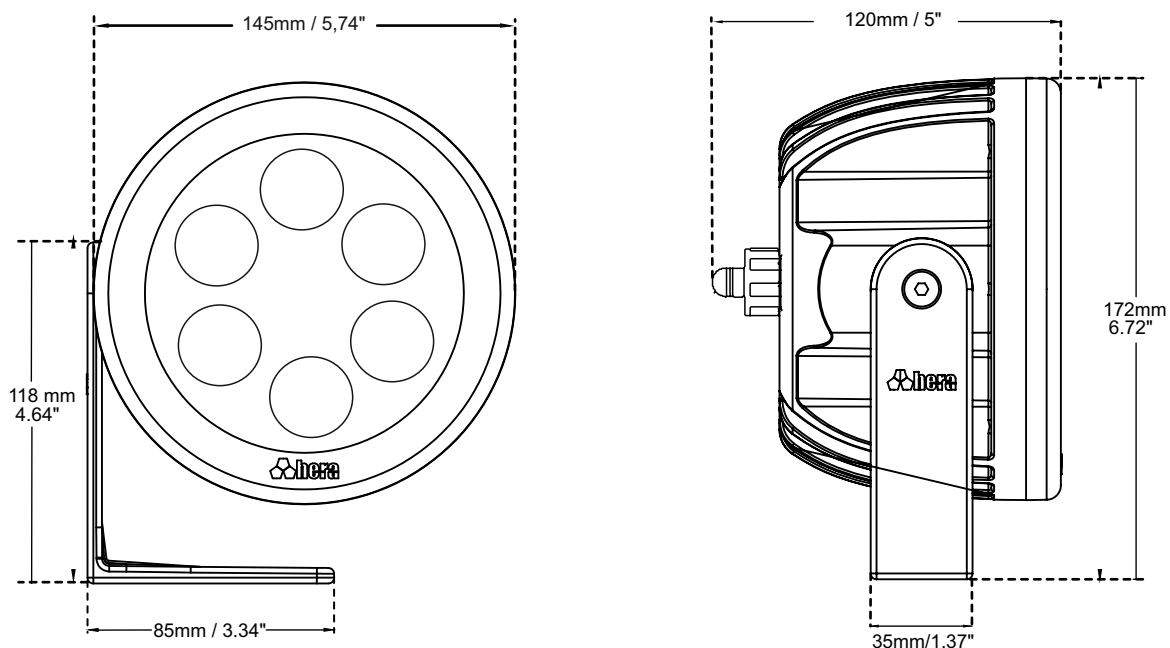
PROCOLOR 60 RGBW SERIES

Explanation

Procolor 60RGBW consists of 6 Cree XML Color LEDs and provides excellent color combination with 3 different light beam angles. Procolor 60RGBW has solid die cast aluminum body. It is used in flood lighting, spot lighting and wall washing applications with excellent color consistency. 4 colors RGBW per pixel offer vivid color and white content in a single system and intelligent "+White" algorithms allow systems using 3 channels signal to control 4 colors per pixel, this enhances the display quality and improved efficiency. It can be used for constant lighting where long and linear appearance is needed and give opportunity for special demands. Owe to its connector on both sides input and output can be done. Universal power input 90 ~ 264VAC is used for long range connection.

- RGBW can be used in 4 channels with DMX Personality. System can be controlled 4 colors per pixel with RGB and smart white algorithm. All customizations options can be chosen remotely with DMX 512 protocol
- It communicates with other fixtures by standard DMX 512 and RDM protocols without requirements of any special communication protocols or production identity. It can be addressed remotely as a group. By courtesy of this feature pixel mapping and addressing are easier.
- It can be used with very long starting cables and jumper cables for flexible and easy application due to its 90 ~ 264VAC 50/60Hz universal voltage range.
- Working status of fixtures, local temperature values, voltage input and output, serial number and DMX address can be monitored. User is informed by mail and system can response automatically according to data.
- Fixtures work compatibly with Madrix® software and hardware. You can choose fixtures in library in order to have easy pixelmapping.
- It has 3 different light beam angles in 8° / 30° / 45°.
- Direction of fixture can be adjusted by movable mounting device on fixture in product of 6°. Device is moved and fastened up by stabile gear system, by this means fixture holds its adjusted direction.
- Fixtures are designed for harsh outdoor condition and resistant against vibration, impact and thermal shock owe to their solid die cast aluminum body and tempered glass cover and IP66 class protection markings.
- Power and data are transmitted by input and output cables IP68 connectors can be installed easily by rotating. Interspaces between fixtures are enough. Therefore additional junction boxes are not needed.
- Fixtures are produced in RAL9005 black color but according to customers' demand fixture can be painted to different RAL colors.

Dimension



PROCOLOR 60 RGBW SERIES

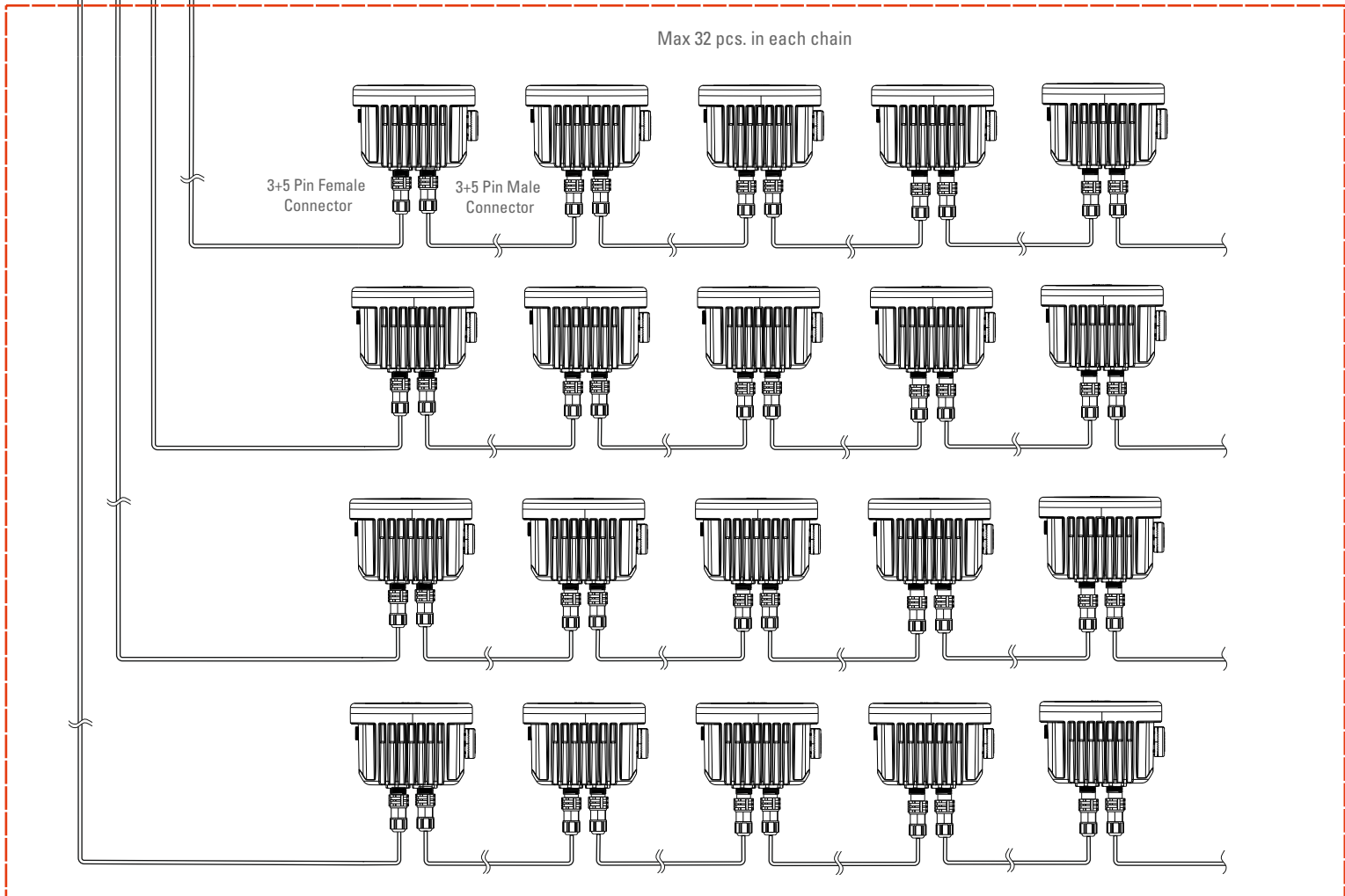
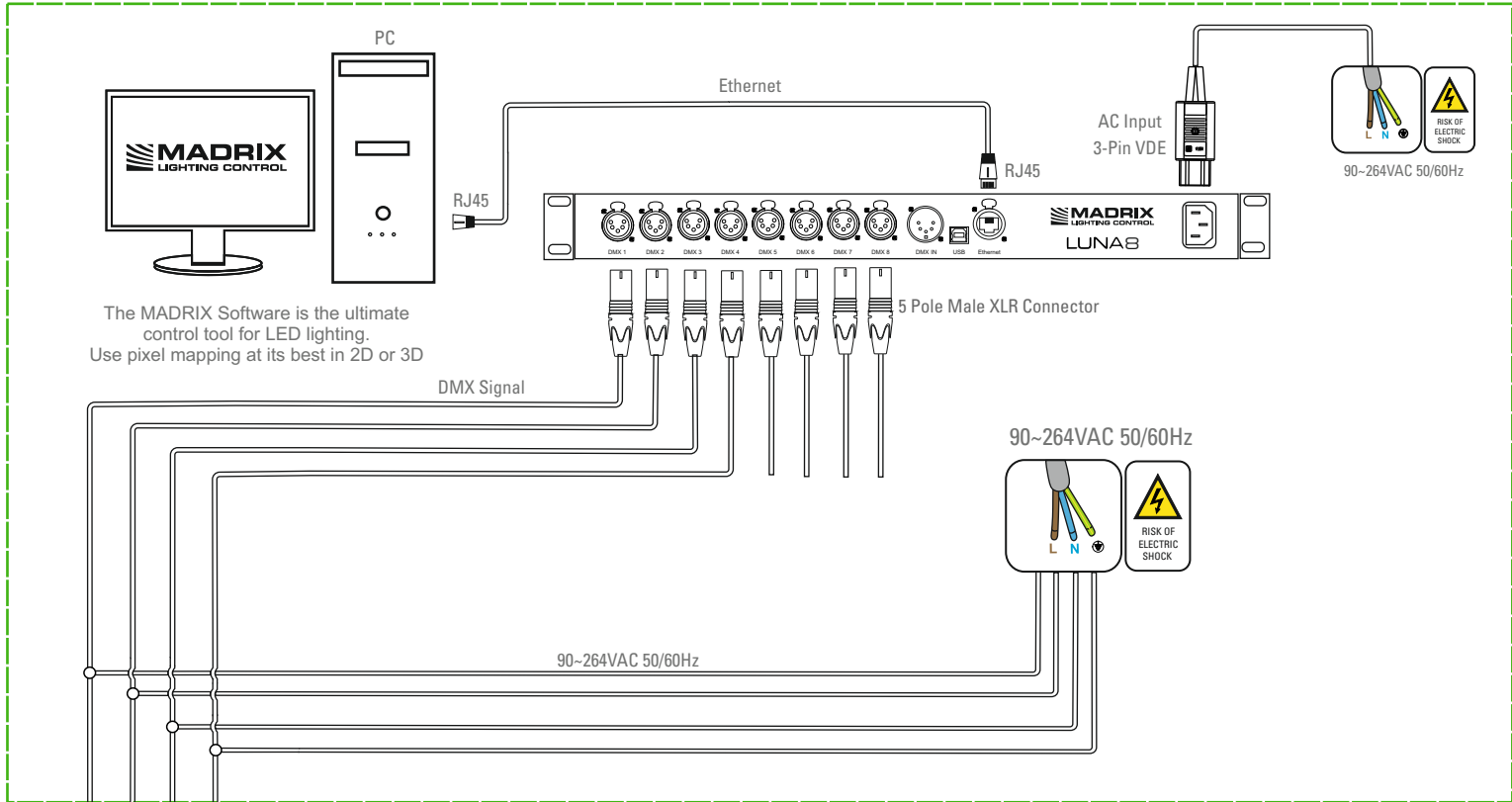
Product Specifications

Light Source:	6pcs High Power Color LEDs
Lumen Maintenance:	60.000+ hours L70 @ 25° C (full output)
Color Range:	16.7 Million additive RGB colors, white CCT 6500K
Color Resolution:	4 x 14-bit (Gamma correction)
Auto-White:	Algorithms enable auto control of white LED by 3-channel RGB values
PWM Frequency:	1,600Hz flicker free dimming to 0.1%
Total Luminous Output:	3744 lm
Red Output:	524 lm
Green Output:	1332 lm
Blue Output:	418 lm
White Output:	1470 lm
Efficacy:	62lm/W
Maximum in Chain:	Max 32pcs
Operating Voltage:	90 ~ 264VAC 50/60Hz Universal AC input
Power Consumption:	60W max.
Control Interface:	USITT DMX 512 A
Addressing:	RDM (Group of Remote Addressable Systems)
Monitoring:	Voltage Monitoring, Temperature Monitoring, Status Monitoring, Power Cycle Monitoring, Lumen-Maintenance Life Monitoring
Housing:	Die-Cast Aluminium Body
Environment:	IP67, IK10
Operating Temperature:	-40°C - 50°C (-40° - 122° F)
Storage Temperature:	-40°C - 85°C (-40°C - 185° F)
Dimensions (H x W x D):	172x145x118 mm (6.77x5.74x4.64 in)
Weight:	1.7kg (3.74lb)
Certification:	EU safety: EN60598-2-5 (EN60598-1), EN62471, EN62493, EN60598-2-1
	EU EMC: EN55015, EN61547, EN61000-3-2, EN61000-3-3, EN61000-4-2, EN61000-4-4, EN61000-4-5
	US safety (pending): ANSI/UL 1598
	US EMC: 47 CFR Part 15 Class A

PROCOLOR 60 RGBW SERIES

Standart DMX Wiring Diagram

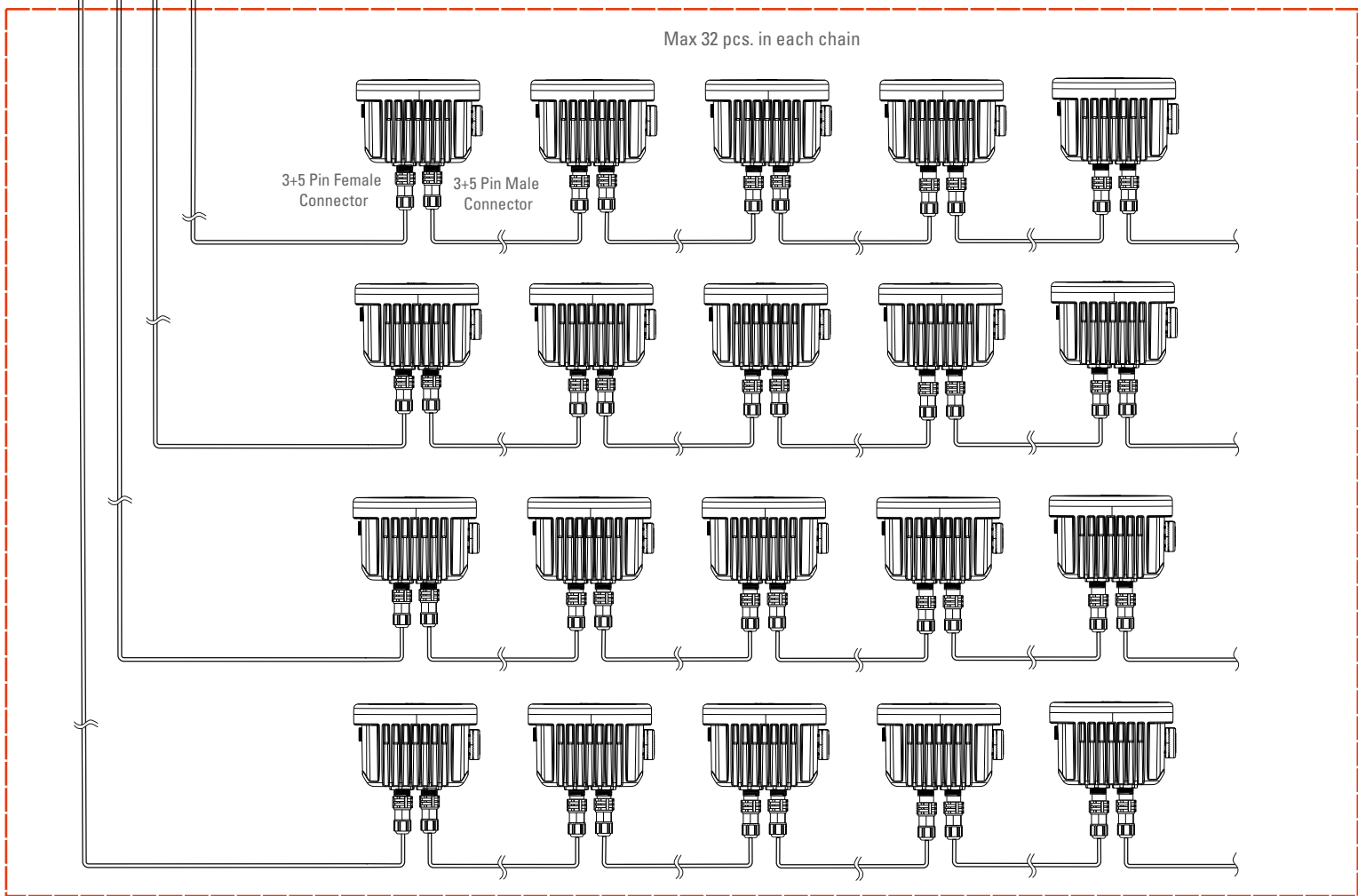
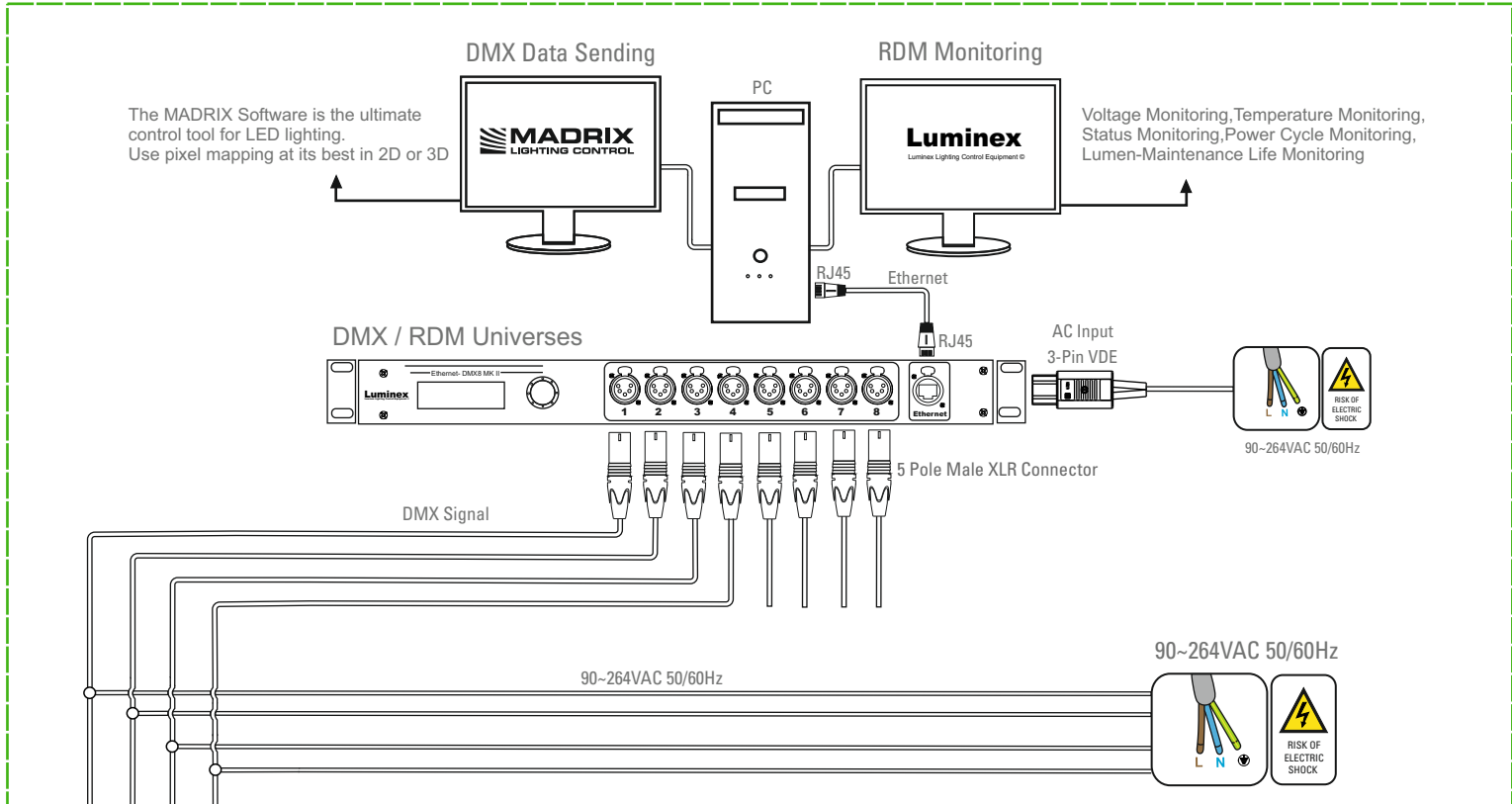
Indoor Zone



Outdoor Zone

RDM Monitoring Wiring Diagram

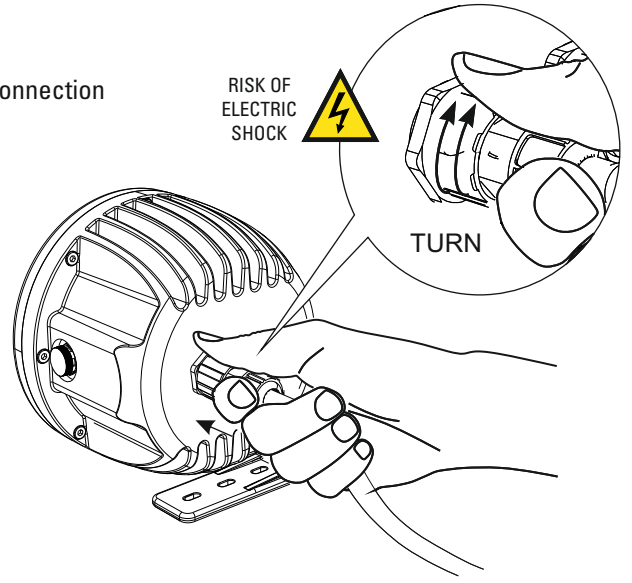
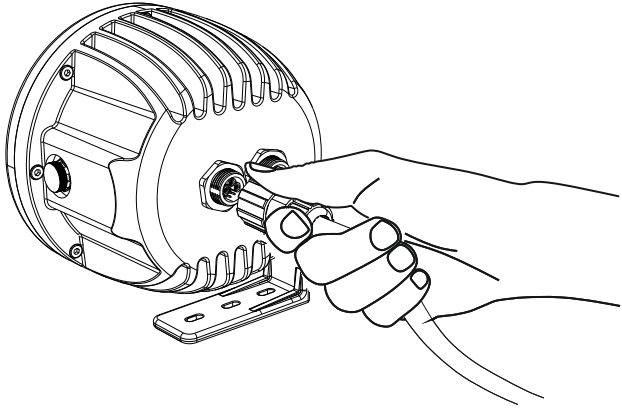
Indoor Zone



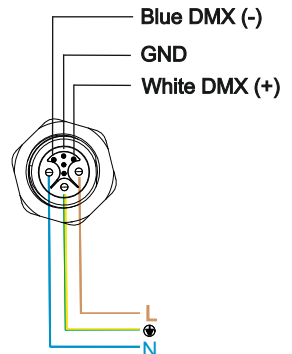
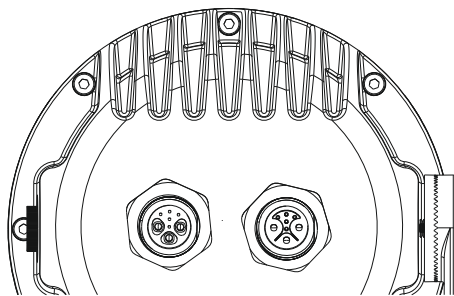
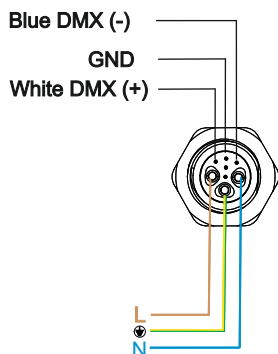
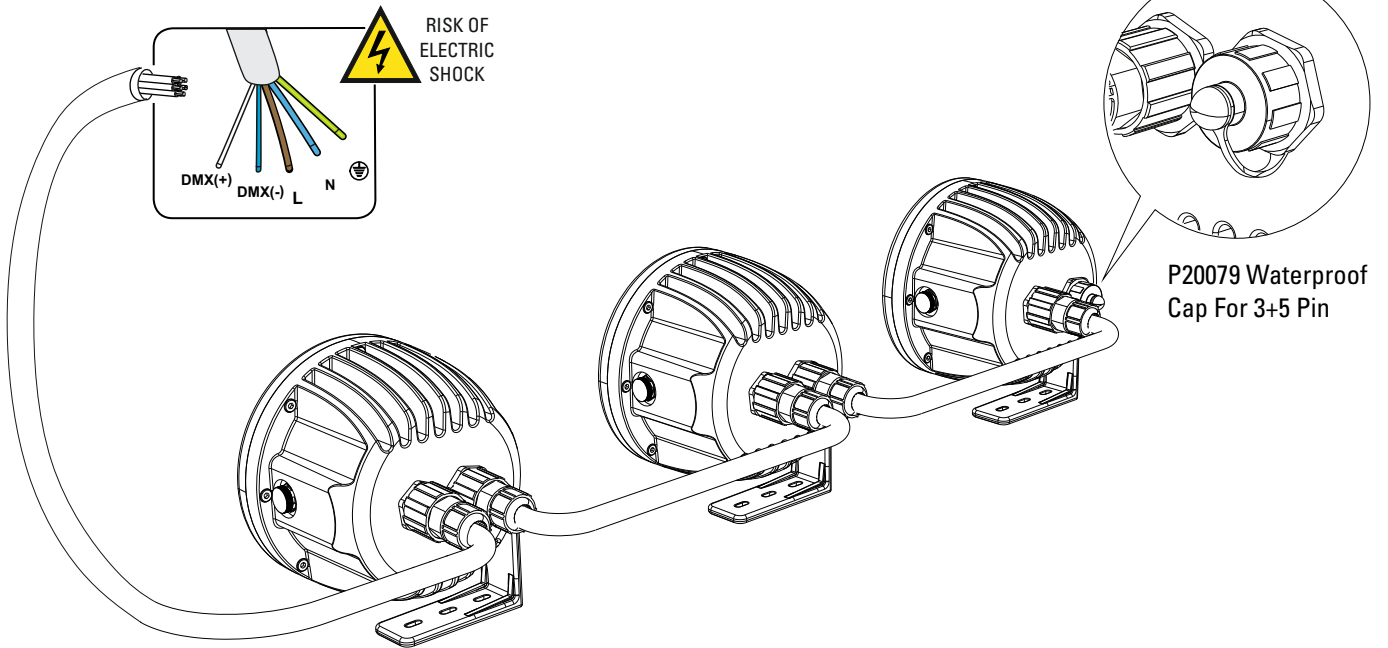
Outdoor Zone

Connection Diagram

1 Insert the connector into the appropriate input and screw the connection

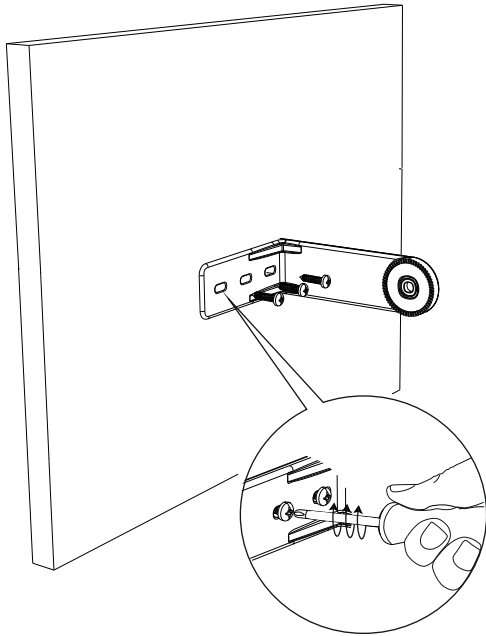


2

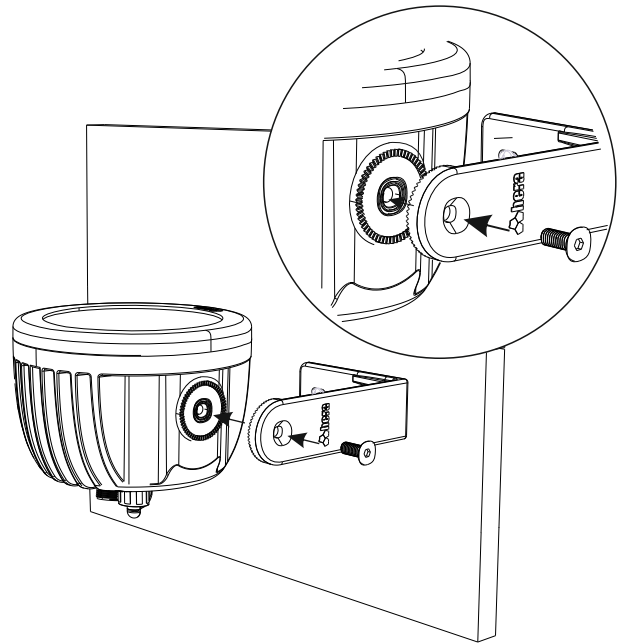


Installation Instruction

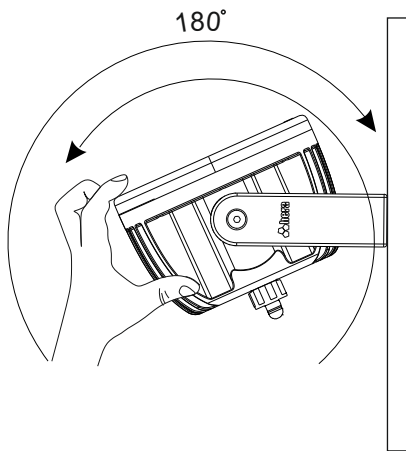
- 1 Assemble leg of luminaries to wall or ground



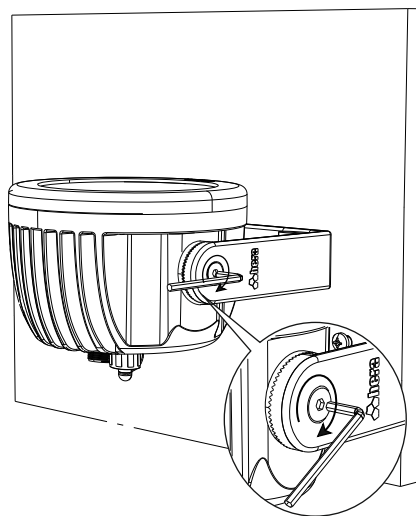
- 2 Synchronize the gear with surface of luminaries and leg



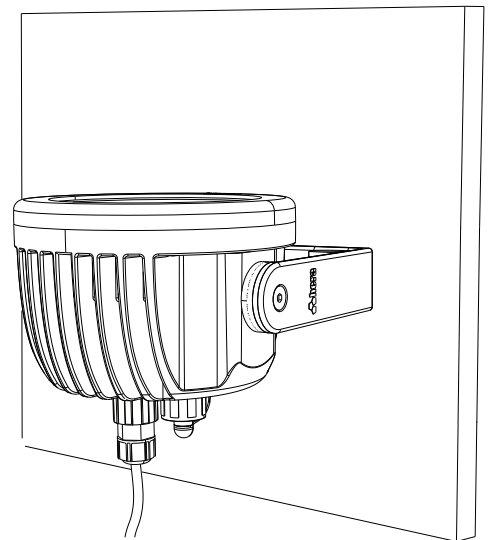
- 3 Turn the luminaries into the suitable position



- 4 Tighten the screw



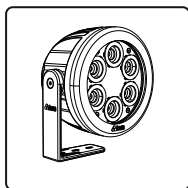
- 5 Finished installation



*Adjustable gear of luminaries with 6° angle

PROCOLOR 60 RGBW SERIES

Ordering Information



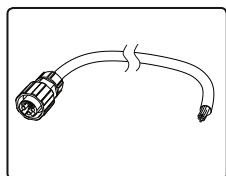
P03002101 Procolor® 60RGBW Flood Light Spot Beam 13°

P03002102 Procolor® 60RGBW Flood Light Medium Beam 24°

P03002103 Procolor® 60RGBW Flood Light Flood Beam 40°

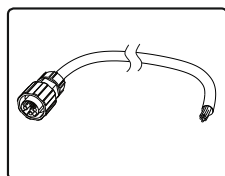
*Standart product that we provided is above. Please contact us for special orders

Accessories



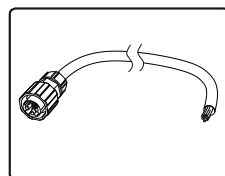
P20060

3+5 Pin Leader Cable 5 Meter



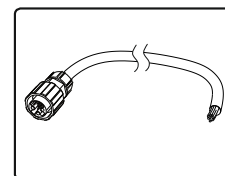
P20061

3+5 Pin Leader Cable 10 Meter



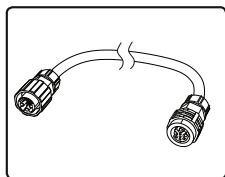
P20062

3+5 Pin Leader Cable 15 Meter



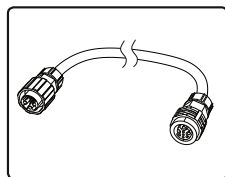
P20063

3+5 Pin Leader Cable 20 Meter



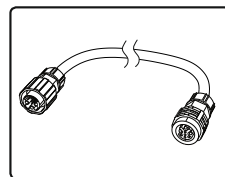
P20070

3+5 Pin Jumper Cable 1 Meterr



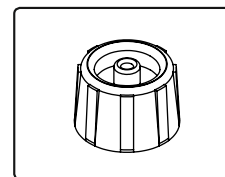
P20071

3+5 Pin Jumper Cable 2 Meter



P20072

3+5 Pin Jumper Cable 5 Meter



P20079

Waterproof Cap For 3+5 Pin

