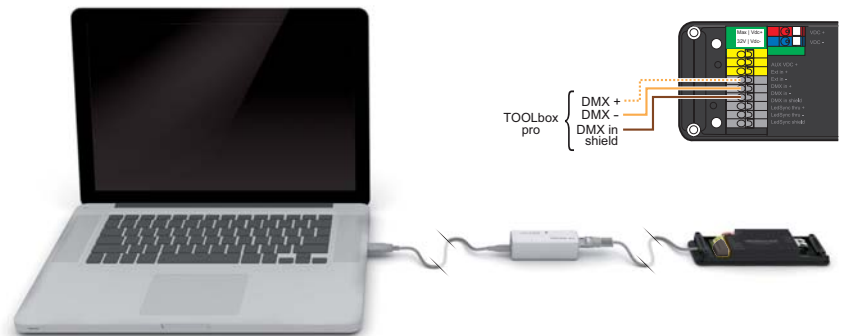


Light  
is our passion

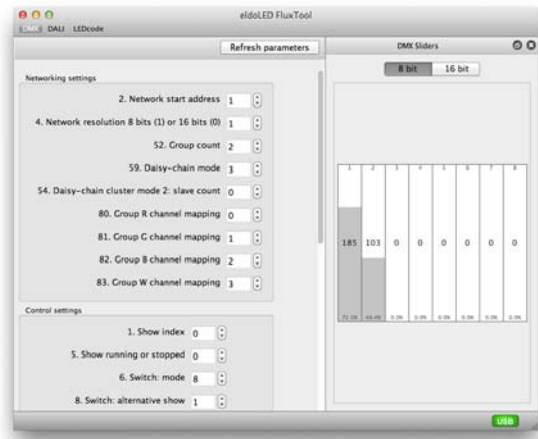
### Connecting and installing DMX compatible LINEARdrive 212D/222D



**A** Removing the cover



**B** Connecting TOOLbox pro to LED driver



**C** Configuring the LED driver with FluxTool

#### Installing the FluxTool application

On Mac OS 10.6 or higher:

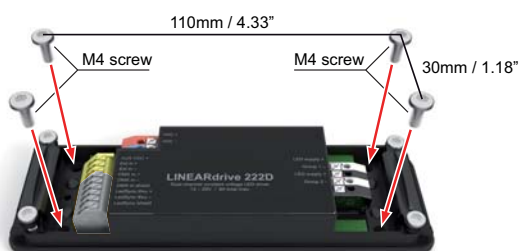
- Download the FluxTool application at [www.eldoled.com/software](http://www.eldoled.com/software)
- Drag the FluxTool icon into your applications folder.

On Windows XP/Vista/7 (both 32 and 64 bit):

- Download the FluxTool application at [www.eldoled.com/software](http://www.eldoled.com/software)
- Run the FluxTool setup.
- Manually install the FluxTool driver program located in the FluxTool folder (refer to addendum sheet Installation TOOLbox pro driver).

For more information, refer to [www.eldoled.com/software](http://www.eldoled.com/software).

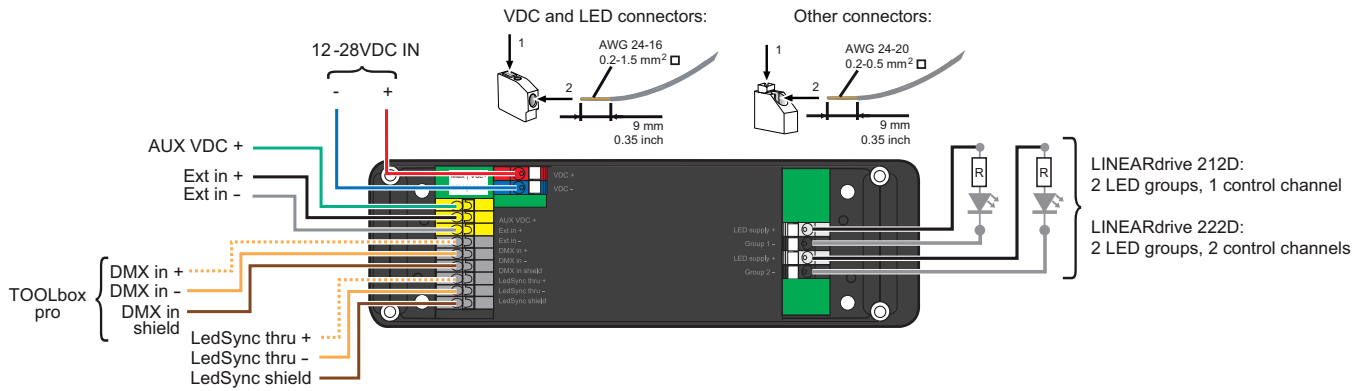
Note that with the TOOLbox pro and FluxTool software you can configure a LINEARdrive 222D as a single-channel driver, but you cannot configure a LINEARdrive 212D as a two-channel driver.





**D** Mounting the LED driver



**E** Removing the strain reliefs



### F Making the wire connections

-  **CAUTION:** The device may only be connected and installed by a qualified electrician. All applicable regulations, legislation and building codes must be observed. Incorrect installation of the device can cause irreparable damage to the device and the connected LEDs.
-  Use an identical AWG value for the wires held in place by the same strain relief, so the strain relief is most effective.



G Fastening the strain reliefs



H Replacing the cover